

## SIDE PLOUGH

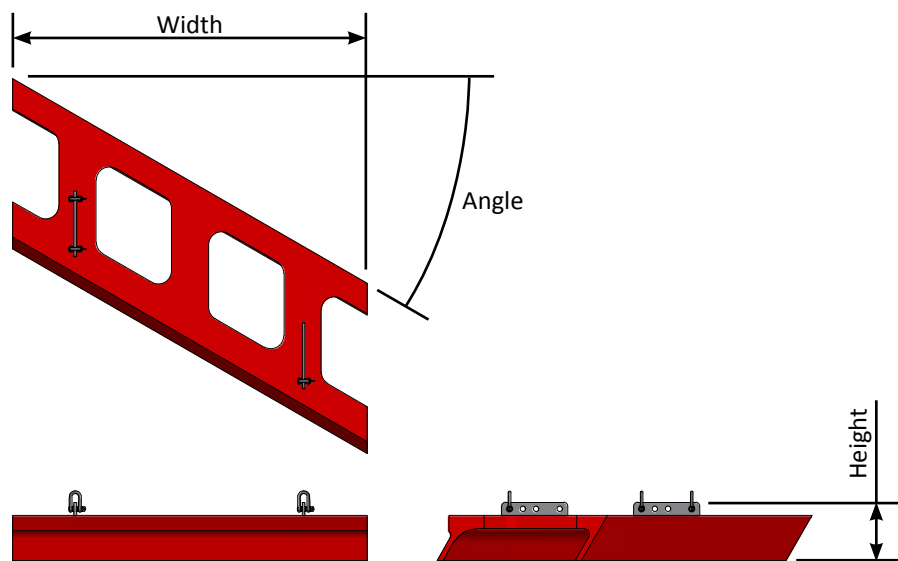
[WWW.VLI.COM.AU](http://WWW.VLI.COM.AU)

## VLI DIAGONAL PLOUGH

VLI's diagonal ploughs are an economical innovative approach keeping debris away from conveyor pulleys. Our diagonal ploughs are uni-directional, self-adjusting and maintenance free, riding on the belt under its own weight, pushing the debris off to either the left or right of the conveyor.

Installation of the plough is straight forward requiring only basic tools to anchor the restraining chains in place. Our ploughs are suitable for all conveyor applications including surface operations and underground coalmines with the benefit of being able to run on clipped and spliced conveyor belts.

Manufactured from FRAS Polyurethane, these ploughs are long lasting have been installed on belts up to 4.5m/s. Our ploughs are suitable for belt widths from 1200mm up to 2000mm and can be supplied to either push the debris off to the left or right of the conveyor.



### SIZES AVAILABLE

Belt Width	900	1200	1500	1600	1800	2000
Width	1210	1340	1690	1830	1990	2450
Height	220	220	220	220	220	220
Angle	28°					
Handed	Left and Right handed models available					

## GET IN TOUCH

### NEW SOUTH WALES

**UNANDERRA**  
3 Investigator Drive  
Unanderra NSW 2526  
T +612 4220 9400

**BERESFIELD**  
8 Balook Drive  
Beresfield NSW 2322  
T + 612 4964 2300

### QUEENSLAND

**MACKAY**  
6 Fursden Street  
Glenella QLD 4740  
T +617 4942 7495

**EMERALD**  
44 Industrial Drive  
Emerald QLD 4720  
T +617 4987 5011

**BRISBANE**  
Building 3, 836 Boundary Road  
Coopers Plains QLD 4108  
T +617 3276 7000

### WESTERN AUSTRALIA

**PERTH**  
5 Temperley Close  
Welshpool WA 6106  
T +618 9452 6600

**KALGOORLIE**  
2 Brooks Way  
Kalgoorlie WA 6430  
T +618 9021 2102

SALES@VLI.COM.AU  
**VLI.COM.AU**